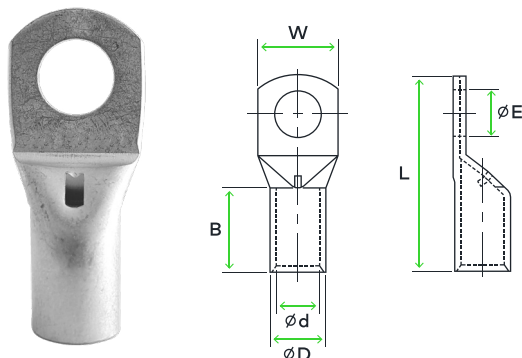


# Terminal de Cobre

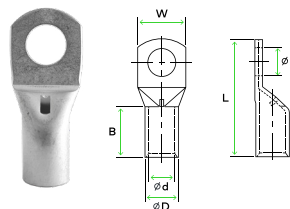
## Descrição

Terminal fabricado em cobre eletrolítico com um acabamento estanhado para melhorar o contacto elétrico. Incorpora o orifício de inspeção para verificar o posicionamento correto do cabo.



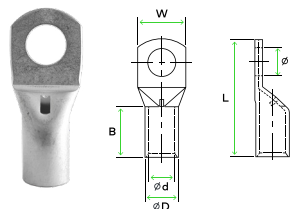
CÓDIGO	REFERÊNCIA	SECÇÃO (mm <sup>2</sup> )	ØE (mm)	ØD (mm)	Ød (mm)	W (mm)	B (mm)	L (mm)
7101000104	A-1.5-4	1.50	4.3	3.3	1.8	8.7	7.0	18.0
7101000105	A-1.5-5		5.3	3.3	1.8	8.7	7.0	18.5
7101000106	A-1.5-6		6.4	3.3	1.8	11.0	7.0	20.0
7101000204	A-2.5-4	2.50	4.3	4.3	2.7	8.7	7.0	18.0
7101000205	A-2.5-5		5.3	4.3	2.7	8.7	7.0	19.0
7101000206	A-2.5-6		6.4	4.3	2.7	9.0	7.0	20.0
7101000208	A-2.5-8		8.3	4.3	2.7	12.0	7.0	24.0
7101000404	A-4-4	4	4.3	5.0	3.3	8.7	9.5	21.0
7101000405	A-4-5		5.3	5.0	3.3	8.7	9.5	21.0
7101000406	A-4-6		6.4	5.0	3.3	11.0	9.5	23.0
7101000408	A-4-8		8.3	5.0	3.3	14.0	9.5	26.5
7101000605	A-6-5	6	5.3	5.5	3.8	10.3	9.0	23.0
7101000606	A-6-6		6.4	5.5	3.8	10.3	9.5	24.0
7101000608	A-6-8		8.3	5.5	3.8	14.0	9.0	27.0
7101000610	A-6-10		10.5	5.2	3.8	13.9	10.0	29.0
7101001004	A-10-4	10	4.3	6.5	4.7	11.9	11.5	27.5
7101001005	A-10-5		5.3	6.8	4.7	11.9	10.0	25.5
7101001006	A-10-6		6.4	6.8	4.7	11.9	10.0	27.0
7101001008	A-10-8		8.3	6.8	4.7	15.0	10.0	30.0
7101001010	A-10-10		10.5	6.8	4.7	18.0	10.0	34.0
7101001012	A-10-12		13.2	6.5	4.7	17.0	11.5	34.0
7101001605	A-16-5	16	5.3	7.8	5.6	11.9	11.0	26.5
7101001606	A-16-6		6.4	7.8	5.6	11.9	11.0	28.5
7101001608	A-16-8		8.3	7.8	5.6	15.0	11.0	31.0
7101001610	A-16-10		10.5	7.8	5.6	18.0	11.0	34.5
7101001612	A-16-12		13.2	7.8	5.6	20.0	11.0	38.5

## Terminal de Cobre



CÓDIGO	REFERÊNCIA	SECÇÃO (mm <sup>2</sup> )	ØE (mm)	ØD (mm)	Ød (mm)	W (mm)	B (mm)	L (mm)
7101002506	A-25-6	25	6.4	9.4	7.1	13.5	13.0	31.0
7101002508	A-25-8		8.3	9.4	7.1	15.0	13.0	34.0
7101002510	A-25-10		10.5	9.4	7.1	18.0	13.0	39.0
7101002512	A-25-12		13.0	9.4	7.1	21.0	13.0	41.0
7101003506	A-35-6	35	6.4	11.3	8.7	16.0	16.0	34.0
7101003508	A-35-8		8.3	11.3	8.7	16.0	16.0	38.0
7101003510	A-35-10		10.5	11.3	8.7	19.0	16.0	42.0
7101003512	A-35-12		13.0	11.3	8.7	21.0	16.0	44.0
7101003514	A-35-14	50	14.5	11.3	8.7	21.0	16.0	48.0
7101003516	A-35-16		16.5	10.5	8.2	23.0	16.0	48.0
7101005006	A-50-6		6.4	12.6	9.8	17.9	19.0	41.0
7101005008	A-50-8		8.3	12.6	9.8	17.9	19.0	43.0
7101005010	A-50-10	70	10.5	12.6	9.8	20.0	19.0	47.0
7101005012	A-50-12		13.0	12.6	9.8	21.0	19.0	51.0
7101005014	A-50-14		14.5	12.6	9.8	25.0	19.0	53.0
7101005016	A-50-16		16.5	12.6	9.8	26.0	19.0	55.0
7101005020	A-50-20	95	21.0	13.3	9.5	30.0	23.0	68.0
7101007008	A-70-8		8.3	14.7	11.5	21.5	21.0	47.0
7101007010	A-70-10		10.5	14.7	11.5	21.5	21.0	51.0
7101007012	A-70-12		120	13.0	14.7	11.5	21.5	21.0
7101007014	A-70-14	14.5		14.7	11.5	25.0	21.0	58.0
7101007016	A-70-16	16.5		14.7	11.5	26.0	21.0	59.0
7101007020	A-70-20	21.0		14.4	11.5	30.0	20.0	62.6
7101009508	A-95-8	120	8.3	16.9	13.5	24.7	24.0	52.0
7101009510	A-95-10		10.5	16.9	13.5	24.7	24.0	55.0
7101009512	A-95-12		13.0	16.9	13.5	24.7	24.0	57.0
7101009514	A-95-14		14.5	16.9	13.5	24.7	24.0	61.0
7101009516	A-95-16	120	16.5	16.9	13.5	27.0	24.0	64.0
7101009520	A-95-20		21.0	16.4	13.5	28.0	22.0	66.8
7101012008	A-120-8		8.3	19.9	15.6	28.9	26.5	56.0
7101012010	A-120-10		120	10.5	19.9	15.6	28.9	26.5
7101012012	A-120-12	13.0		19.9	15.6	28.9	26.5	63.0
7101012014	A-120-14	14.5		19.9	15.6	28.9	26.5	67.0
7101012016	A-120-16	16.5		19.9	15.6	28.9	27.5	71.0
7101012020	A-120-20		21.0	19.2	15.6	28.0	27.0	71.5

## Terminal de Cobre



CÓDIGO	REFERÊNCIA	SECÇÃO (mm <sup>2</sup> )	ØE (mm)	ØD (mm)	Ød (mm)	W (mm)	B (mm)	L (mm)
7101015010	A-150-10	150	10.5	20.9	16.5	30.4	32.0	69.0
7101015012	A-150-12		13.0	20.9	16.5	30.4	32.0	75.0
7101015014	A-150-14		14.5	20.9	16.5	30.4	32.0	79.0
7101015016	A-150-16		16.5	20.9	16.5	30.4	32.0	79.0
7101015020	A-150-20		21.0	20.2	16.5	29.5	32.0	78.0
7101018510	A-185-10	185	10.5	23.7	18.8	34.0	34.0	74.0
7101018512	A-185-12		13.0	23.7	18.8	34.0	34.0	80.0
7101018514	A-185-14		14.5	23.7	18.8	34.0	34.0	84.0
7101018516	A-185-16		16.5	23.7	18.8	34.0	34.0	85.0
7101018520	A-185-20		21.0	22.7	18.4	33.5	34.0	84.0
7101024010	A-240-10	240	10.5	26.2	21.2	38.4	38.0	82.0
7101024012	A-240-12		13.0	26.2	21.2	38.4	38.0	86.0
7101024014	A-240-14		14.5	26.2	21.2	38.4	38.0	90.0
7101024016	A-240-16		16.5	26.2	21.2	38.4	38.0	91.0
7101024020	A-240-20		21.0	25.5	21.2	37.5	37.0	90.0
7101030010	A-300-10	300	10.5	27.7	23.4	40.8	40.0	96.0
7101030012	A-300-12		13.0	28.6	23.4	41.7	43.0	93.0
7101030014	A-300-14		14.5	28.6	23.4	41.7	43.0	94.0
7101030016	A-300-16		16.5	28.6	23.4	41.7	43.0	100.0
7101030020	A-300-20		21.0	27.7	23.4	40.8	40.0	96.0
7101040010	A-400-10	400	10.5	31.7	26.8	46.8	37.0	104.7
7101040012	A-400-12		13.0	32.8	26.8	47.8	49.0	110.0
7101040014	A-400-14		14.5	32.8	26.8	47.8	49.0	110.0
7101040016	A-400-16		16.5	32.8	26.8	47.8	49.0	110.0
7101040020	A-400-20		21.0	31.7	26.8	46.8	37.0	104.7
7101050010	A-500-10	500	10.5	36.9	29.8	54.0	46.5	115.5
7101050012	A-500-12		13.2	36.9	29.8	54.0	46.5	115.5
7101050014	A-500-14		14.5	36.9	29.8	54.0	46.5	115.5
7101050016	A-500-16		16.5	38.4	29.8	54.8	50.0	115.0
7101050020	A-500-20		21.0	38.4	29.8	54.8	50.0	120.0
7101063010	A-630-10	630	10.5	42.9	34.5	62.0	50.0	133.1
7101063012	A-630-12		13.2	42.9	34.5	62.0	50.0	133.1
7101063014	A-630-14		14.5	42.9	34.5	62.0	50.0	133.1
7101063016	A-630-16		16.5	44.7	34.5	64.4	62.0	128.0
7101063020	A-630-20		21.0	44.7	34.5	64.4	62.0	134.0