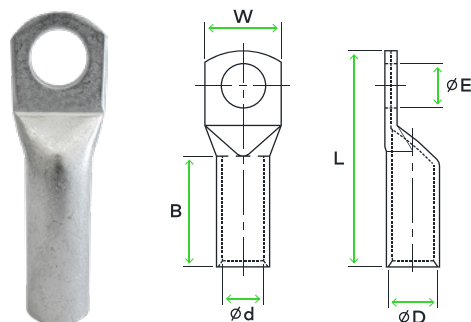


Terminal de Cobre Longo

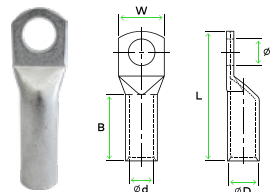
Descrição

Terminal longo fabricado em cobre eletrolítico com um acabamento estanhado para melhorar o contacto elétrico.



CÓDIGO	REFERÊNCIA	SECÇÃO (mm ²)	ØE (mm)	ØD (mm)	Ød (mm)	W (mm)	B (mm)	L (mm)
7103001006	AA-10-6	10	6.4	6.8	4.7	11.9	18.0	35.0
7103001008	AA-10-8		8.3	6.8	4.7	15.0	18.0	38.0
7103001606	AA-16-6	16	6.4	7.8	5.6	11.9	21.5	39.0
7103001608	AA-16-8		8.3	7.8	5.6	15.0	21.5	41.5
7103002508	AA-25-8	25	8.3	9.4	7.1	15.0	29.0	50.0
7103002510	AA-25-10		10.5	9.4	7.1	18.0	29.0	55.0
7103003508	AA-35-8	35	8.3	11.3	8.7	16.0	31.0	53.0
7103003510	AA-35-10		10.5	11.3	8.7	19.0	31.0	57.0
7103005010	AA-50-10	50	10.5	12.6	9.8	20.0	35.0	63.0
7103005012	AA-50-12		13.0	12.6	9.8	21.0	35.0	67.0
7103007010	AA-70-10	70	10.5	14.7	11.5	21.5	39.0	69.0
7103007012	AA-70-12		13.2	14.7	11.5	21.5	39.0	71.0
7103009512	AA-95-12	95	13.0	16.9	13.5	24.7	46.0	79.0
7103009514	AA-95-14		14.5	16.9	13.5	24.7	46.0	83.0
7103009516	AA-95-16	120	16.5	16.9	13.5	27.0	46.0	86.0
7103012012	AA-120-12		13.0	19.9	15.6	28.9	51.0	87.0
7103012014	AA-120-14	120	14.5	19.9	15.6	28.9	51.0	91.0
7103012016	AA-120-16		16.5	19.9	15.6	28.9	52.0	95.0
7103015012	AA-150-12	150	13.0	20.9	16.5	30.4	56.0	99.0
7103015014	AA-150-14		14.5	20.9	16.5	30.4	56.0	103.0
7103015016	AA-150-16	185	16.5	20.9	16.5	30.4	56.0	103.0
7103018512	AA-185-12		13.0	23.7	18.8	34.0	62.0	108.0
7103018514	AA-185-14	185	14.5	23.7	18.8	34.0	62.0	112.0
7103018516	AA-185-16		16.5	23.7	18.8	34.0	62.0	113.0
7103024012	AA-240-12	240	13.0	26.2	21.2	38.4	66.0	114.0
7103024014	AA-240-14		14.5	26.2	21.2	38.4	66.0	118.0
7103024016	AA-240-16	16.5	26.2	21.2	38.4	66.0	119.0	

Terminal de Cobre Longo



CÓDIGO	REFERÊNCIA	SECÇÃO (mm ²)	ØE (mm)	ØD (mm)	Ød (mm)	W (mm)	B (mm)	L (mm)
7103030014	AA-300-14	300	14.5	28.6	23.4	41.7	75.0	132.0
7103030016	AA-300-16		16.5	28.6	23.4	41.7	75.0	132.0
7103040016	AA-400-16	400	16.5	32.8	26.8	47.8	79.0	140.0
7103050016	AA-500-16	500	16.5	38.4	29.8	54.8	78.0	143.0