

# Crimping Tool for Copper Terminals

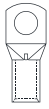
## Description

Crimping tools for copper terminals with ergonomic design, reducing crimping effort. Suitable for professional and intensive use, with hexagonal and punch crimping. Available in mechanical, hydraulic, and electric models.

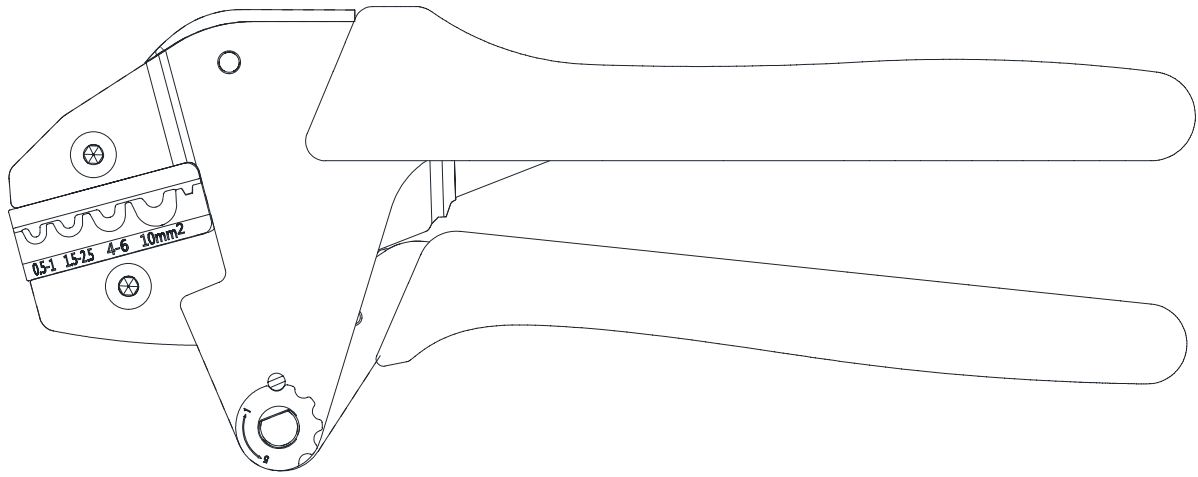
CODE	REFERENCE	CRIMPING RANGE (mm <sup>2</sup> )	CRIMPING FORCE (TON)	LENGTH (mm)	WEIGHT (kg)
7070103002	ACT-11A	0.5-10	-	210	0,5
7070103004	ACT-10A	0.5-10	-	220	0,52
7070103006	ACT-10	1.5-10	-	270	0,55
7070103008	ACT-16	6-16	-	270	0,55
7070103010	ACT-26B	6-25	-	354	0,85
7070103012	ACT-50B	6-50	-	390	1,3
7070103014	ACT-121B	6-120	-	640	3,2
7070103016	ACT-245B	70-240	-	980	5,6
7070103018	ACT-150B	25-150	-	620	4,0
7070103020	ACT-230	10-240	-	980	4,7
7070103022	ACT-150	10-120	-	610	3,1
7070103024	ACT-240A	10-240	-	980	4,7
7070103026	ACT-95A	6-95	-	354	2,85
7070103028	ACT-150A	10-150	-	610	3,1
7070103030	ACT-70B	6-70	-	455	1,75
7070103032	ACT-120B	10-120	-	620	4,0
7070103038	ACT-300	16-300	-	-	5,0
7070103040	ACT-430	50-400   *35-300	12	755	6,4

\* Also suitable for aluminium terminals (Al)

## ACT-11A

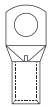


0.5-10  
mm<sup>2</sup>

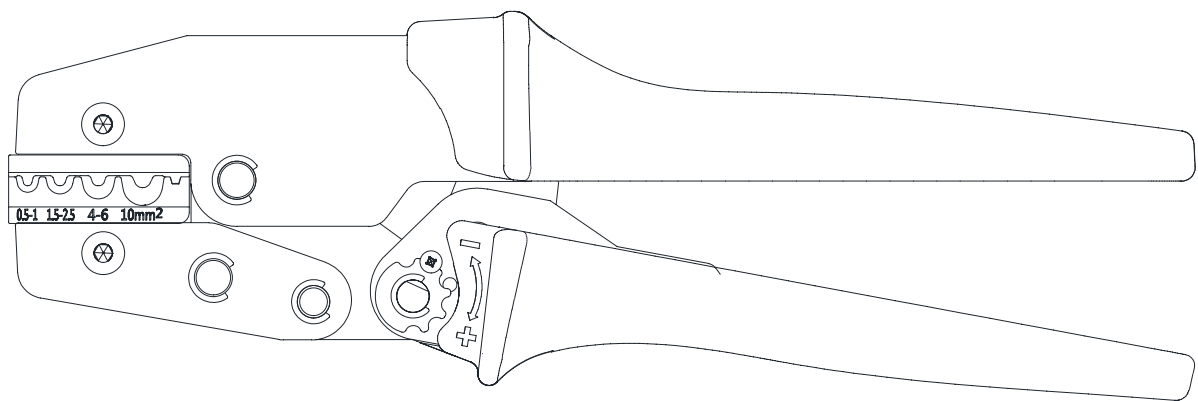


210 mm

## ACT-10A

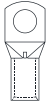


0.5-10  
mm<sup>2</sup>

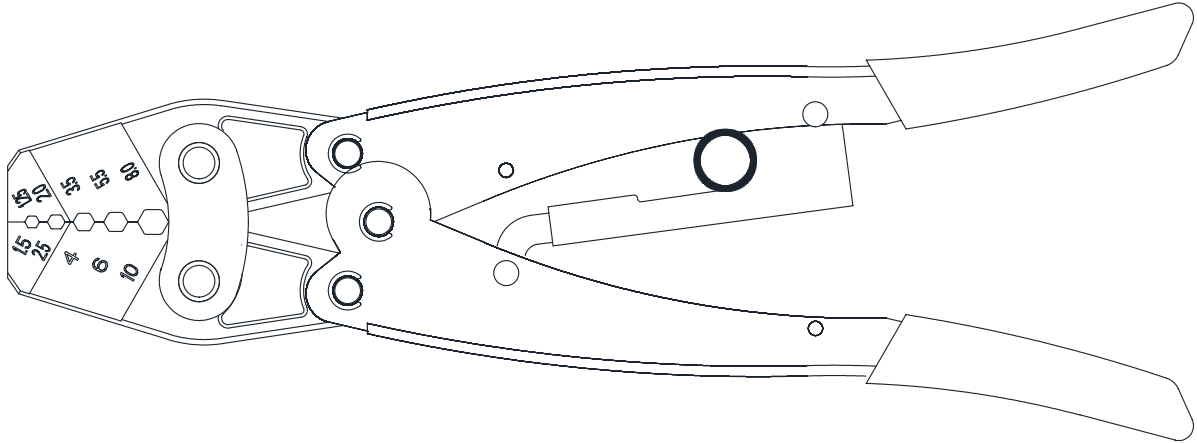


220 mm

## ACT-10

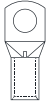


1.5-10  
mm<sup>2</sup>

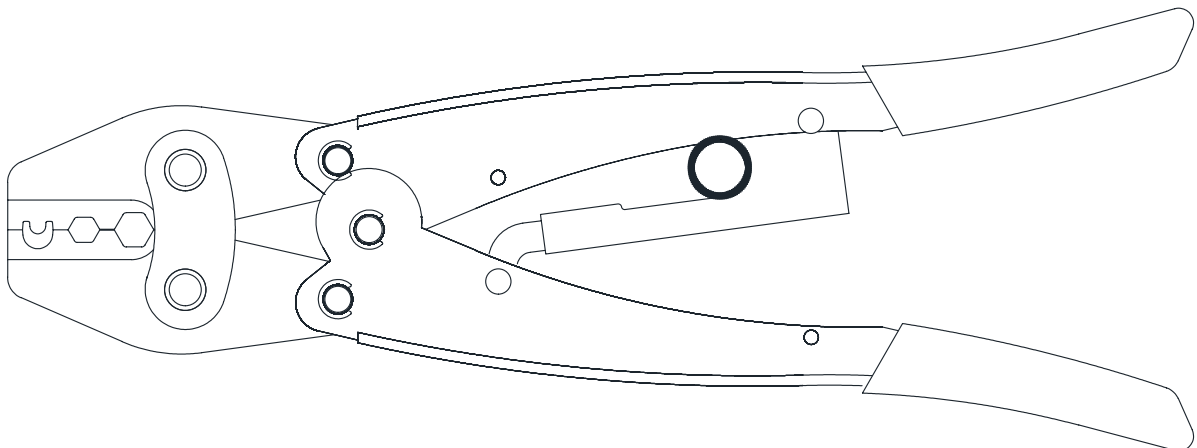


270 mm

## ACT-16

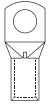


6-16  
mm<sup>2</sup>

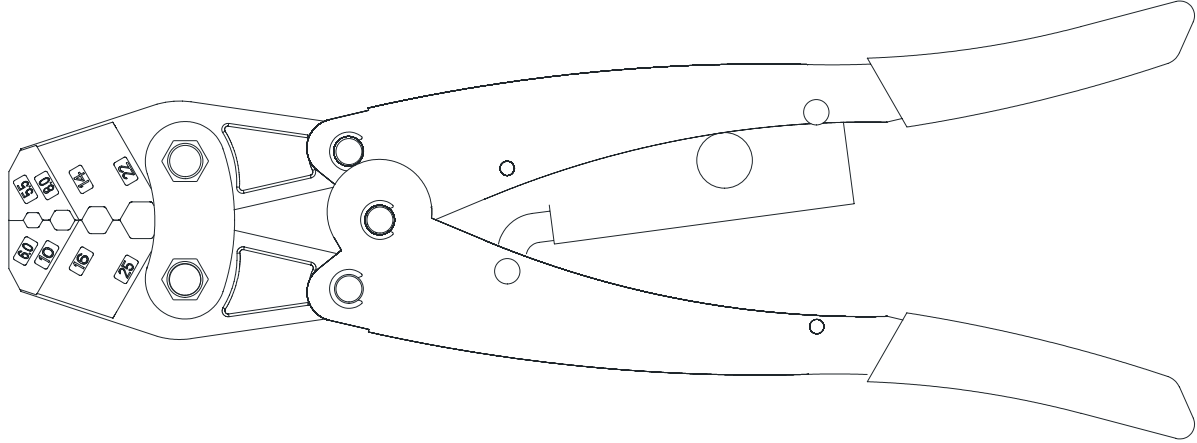


270 mm

## ACT-26B

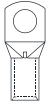


6-25  
mm<sup>2</sup>

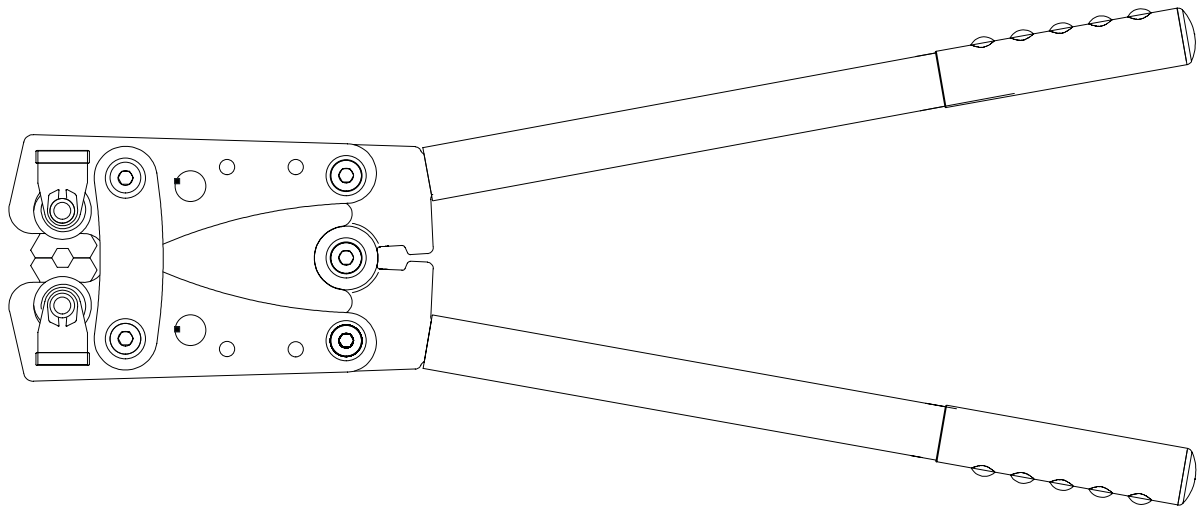
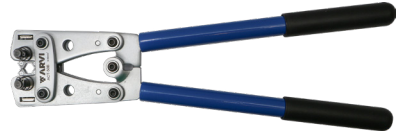


354 mm

## ACT-50B

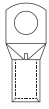


6-50  
mm<sup>2</sup>

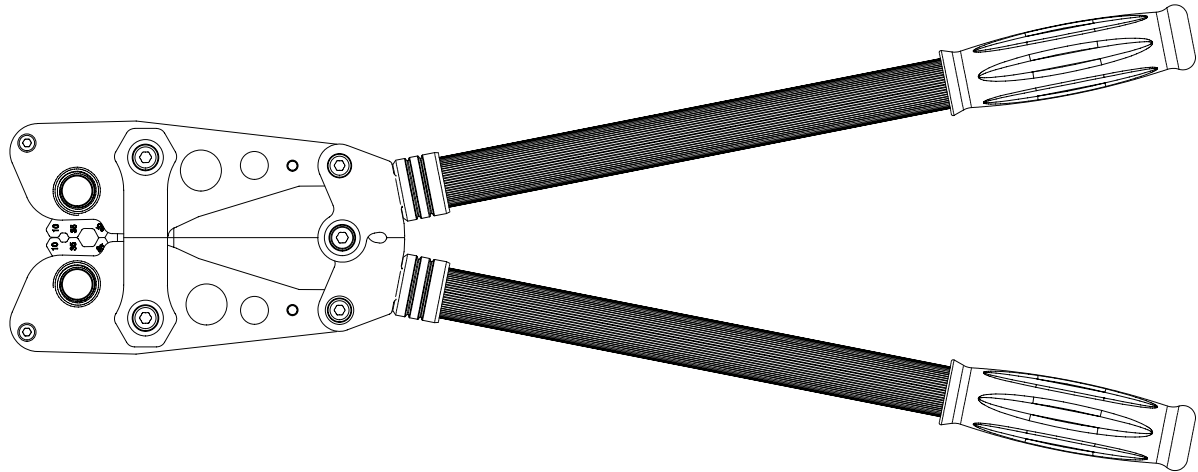
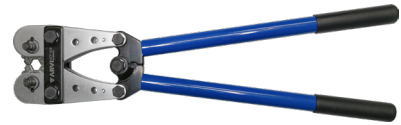


390 mm

## ACT-121B

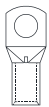


10-120  
mm<sup>2</sup>

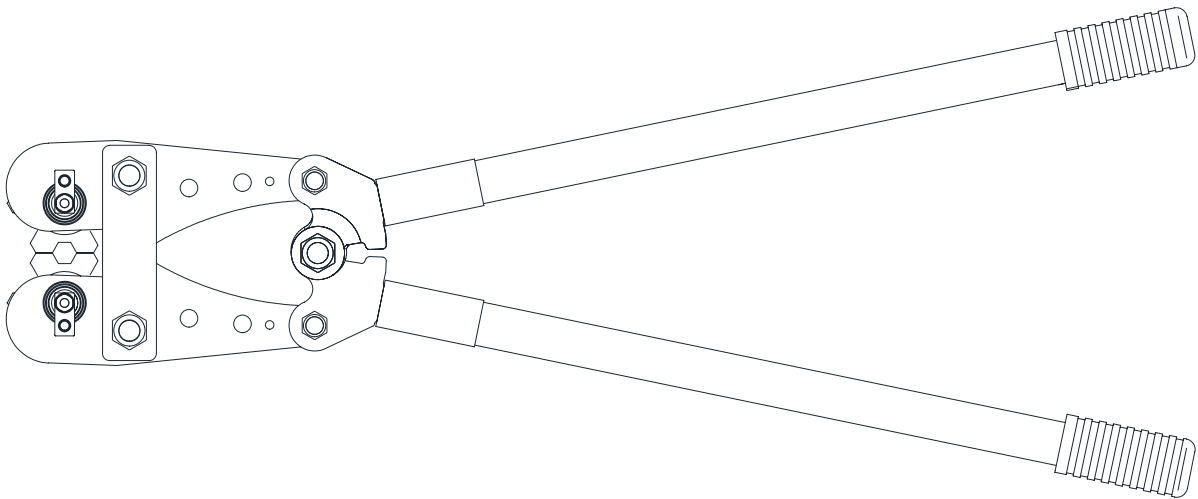


640 mm

## ACT-245B

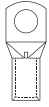


70-240  
mm<sup>2</sup>

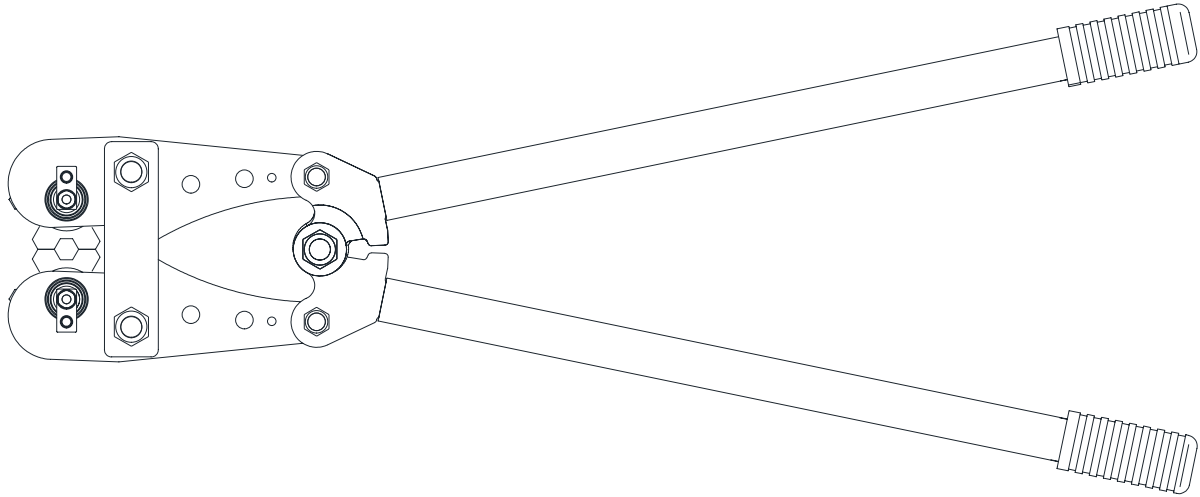
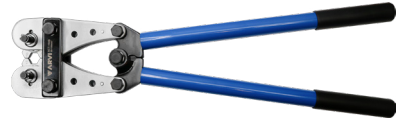


980 mm

## ACT-150B

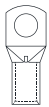


25-150  
mm<sup>2</sup>

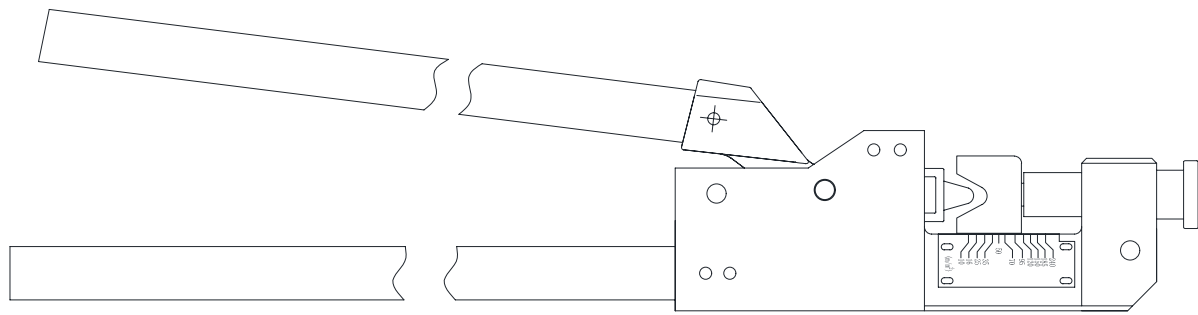


620 mm

## ACT-230

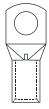


10-240  
mm<sup>2</sup>

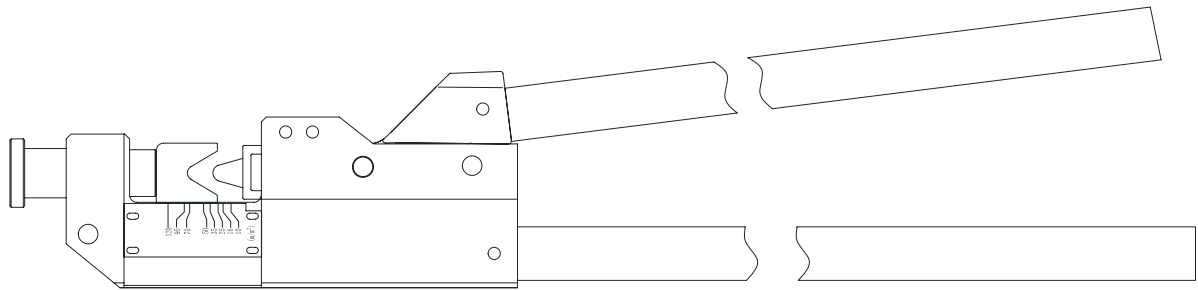


980 mm

## ACT-150

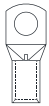


10-120  
mm<sup>2</sup>

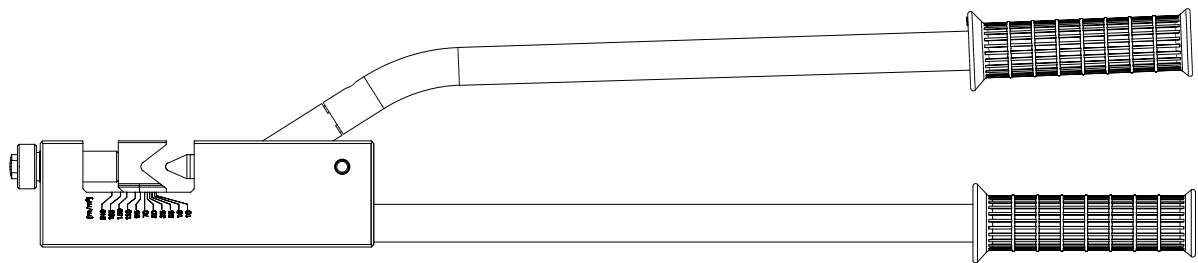


610 mm

## ACT-240A

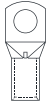


10-240  
mm<sup>2</sup>

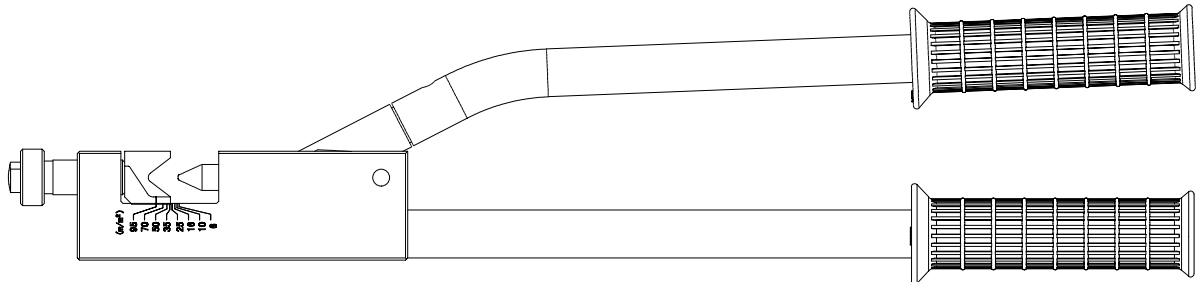


980 mm

## ACT-95A

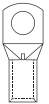


6-95  
mm<sup>2</sup>

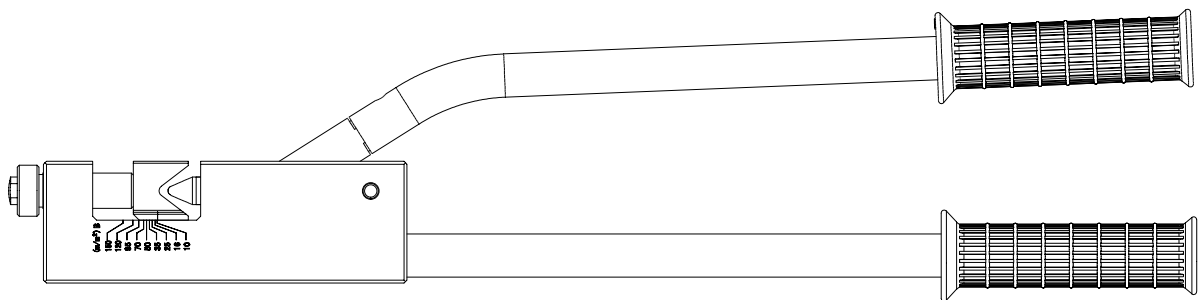


354 mm

## ACT-150A



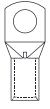
10-150  
mm<sup>2</sup>



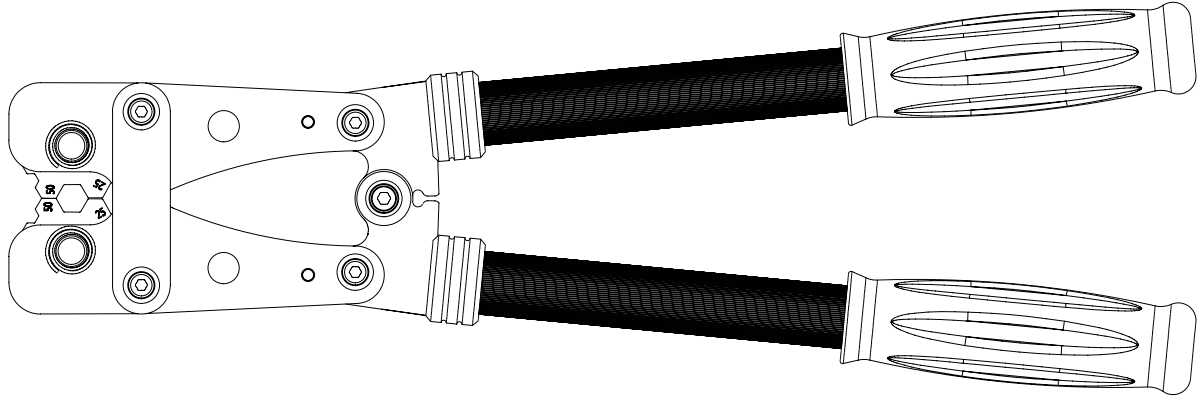
610 mm



## ACT-70B

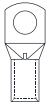


6-70  
mm<sup>2</sup>

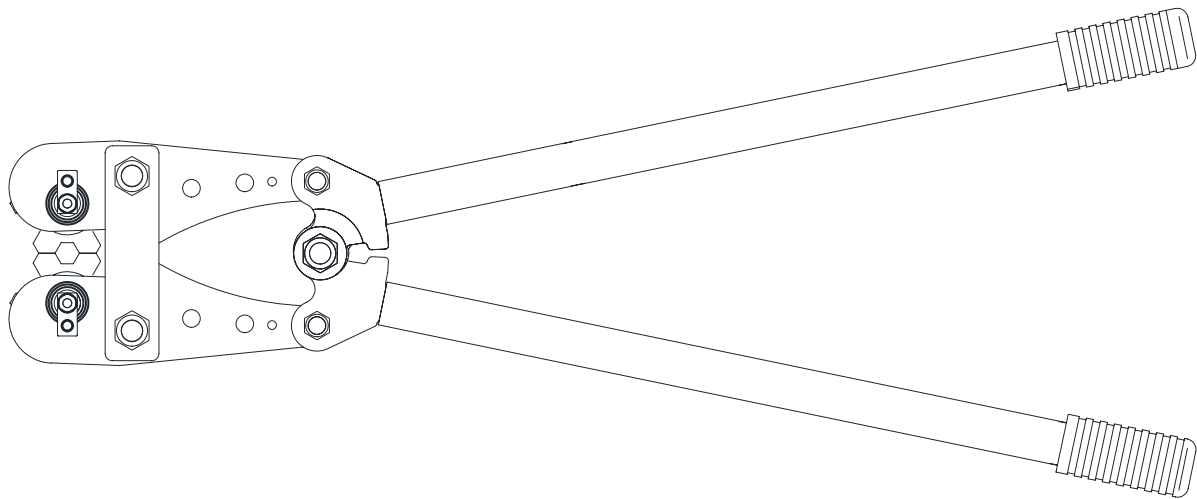


455 mm

## ACT-120B

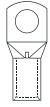


10-120  
mm<sup>2</sup>

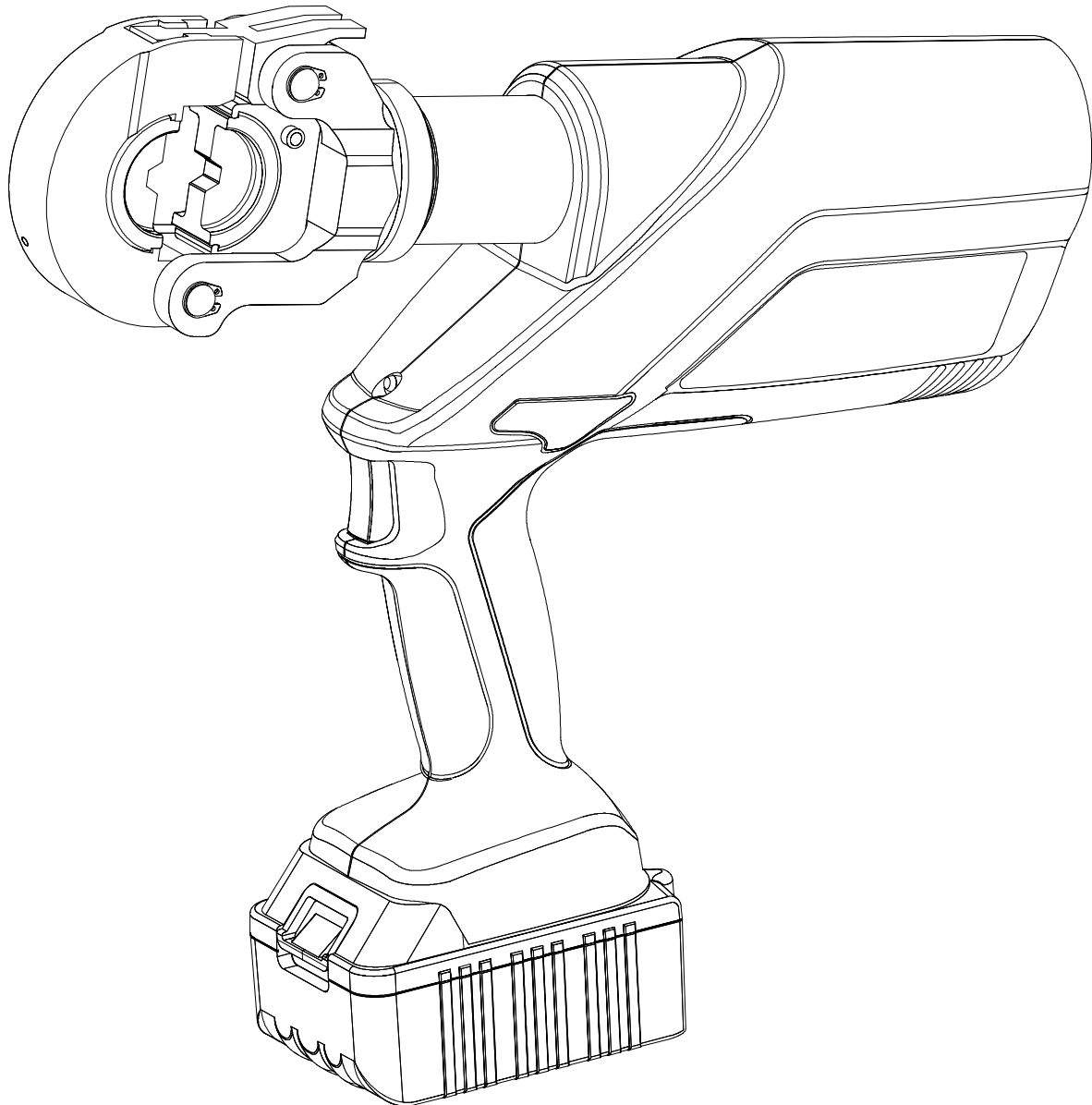


620 mm

## ACT-300



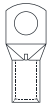
16-300  
mm<sup>2</sup>



**Note:**

360° rotating head. When crimping is complete, the motor stops automatically. Fast motor stop. Manual retraction if needed. Tool equipped with a high-performance 18V 3.0Ah lithium-ion battery.  
Reinforced nylon body.

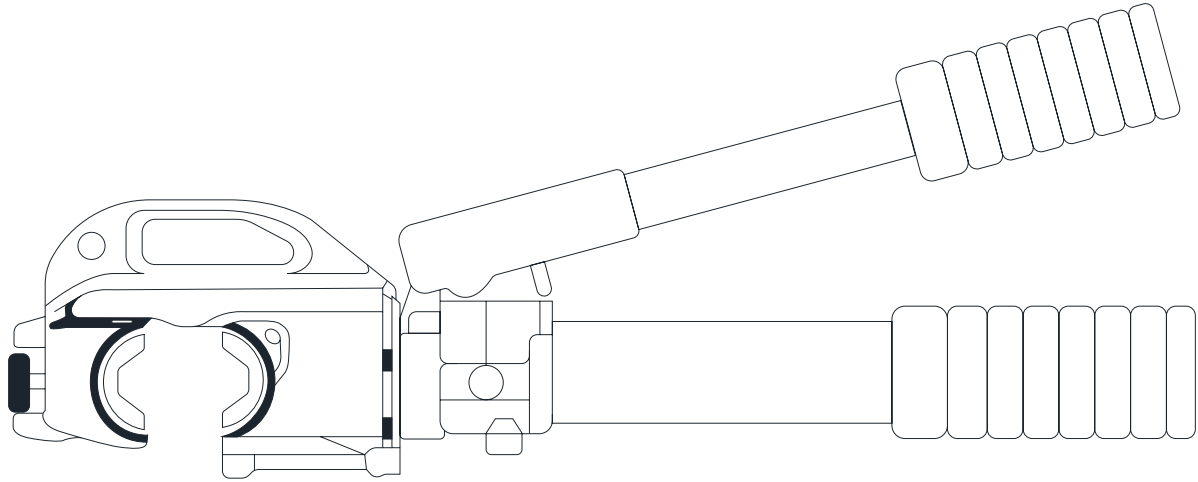
## ACT-430



50-400  
mm<sup>2</sup>

35-300  
mm<sup>2</sup>

Al



755 mm

**Note:**

Hexagonal crimping die for CU (50-400) and AL (35-300).  
Crimping force: 12 tons.