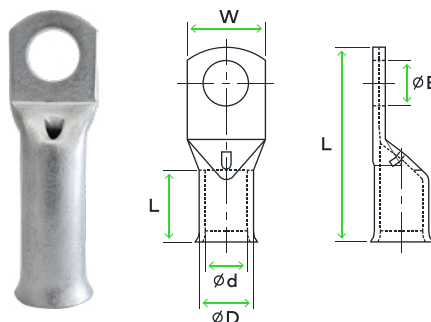


# Terminal de Cobre P/ Cabo Flexível

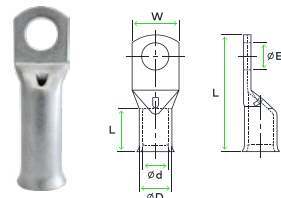
## Descrição

Terminal para cabo flexível fabricado em cobre eletrolítico com um acabamento estanhado para melhorar o contacto elétrico. Abertura apropriada para cabos flexíveis.



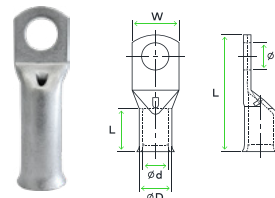
| CÓDIGO     | REFERÊNCIA | SECÇÃO (mm <sup>2</sup> ) | ØE (mm) | ØD (mm) | Ød (mm) | W (mm) | B (mm) | L (mm) |
|------------|------------|---------------------------|---------|---------|---------|--------|--------|--------|
| 7102000103 | AF-1.5-3   | 1.5                       | 3.2     | 3.7     | 1.8     | 8.0    | 11.0   | 21.0   |
| 7102000104 | AF-1.5-4   |                           | 4.3     | 3.7     | 1.8     | 8.0    | 11.0   | 22.0   |
| 7102000105 | AF-1.5-5   |                           | 5.3     | 3.7     | 1.8     | 10.0   | 12.0   | 24.0   |
| 7102000106 | AF-1.5-6   |                           | 6.5     | 3.7     | 1.8     | 10.0   | 12.0   | 25.0   |
| 7102000203 | AF-2.5-3   | 2.5                       | 3.2     | 3.9     | 2.3     | 8.0    | 12.0   | 22.0   |
| 7102000204 | AF-2.5-4   |                           | 4.3     | 3.9     | 2.3     | 8.0    | 12.0   | 23.0   |
| 7102000205 | AF-2.5-5   |                           | 5.3     | 3.9     | 2.3     | 10.0   | 12.0   | 25.0   |
| 7102000206 | AF-2.5-6   |                           | 6.5     | 3.9     | 2.3     | 10.0   | 12.0   | 25.0   |
| 7102000208 | AF-2.5-8   | 4                         | 8.3     | 4.3     | 2.3     | 12.5   | 12.0   | 27.5   |
| 7102000404 | AF-4-4     |                           | 4.3     | 4.7     | 3.0     | 10.0   | 13.0   | 26.0   |
| 7102000405 | AF-4-5     |                           | 5.3     | 4.7     | 3.0     | 10.0   | 13.0   | 27.0   |
| 7102000406 | AF-4-6     |                           | 6.5     | 4.7     | 3.0     | 10.0   | 13.0   | 28.0   |
| 7102000408 | AF-4-8     | 6                         | 8.3     | 4.7     | 3.0     | 12.5   | 13.0   | 29.0   |
| 7102000604 | AF-6-4     |                           | 4.3     | 5.9     | 4.0     | 10.0   | 18.5   | 33.6   |
| 7102000605 | AF-6-5     |                           | 5.3     | 5.9     | 4.0     | 10.0   | 18.5   | 33.6   |
| 7102000606 | AF-6-6     |                           | 6.5     | 5.9     | 4.0     | 11.0   | 18.5   | 33.6   |
| 7102000608 | AF-6-8     | 10                        | 8.3     | 5.9     | 4.0     | 12.5   | 18.5   | 36.3   |
| 7102000610 | AF-6-10    |                           | 10.3    | 6.2     | 4.0     | 15.0   | 18.5   | 37.3   |
| 7102001005 | AF-10-5    |                           | 5.3     | 6.6     | 4.5     | 11.0   | 22.0   | 39.0   |
| 7102001006 | AF-10-6    |                           | 6.5     | 6.6     | 4.5     | 11.0   | 22.0   | 39.0   |
| 7102001008 | AF-10-8    | 16                        | 8.3     | 6.6     | 4.5     | 12.5   | 22.0   | 39.0   |
| 7102001010 | AF-10-10   |                           | 10.3    | 6.9     | 4.5     | 16.0   | 22.0   | 43.1   |
| 7102001012 | AF-10-12   |                           | 12.7    | 6.9     | 4.5     | 18.0   | 21.0   | 43.1   |
| 7102001605 | AF-16-5    |                           | 5.3     | 7.5     | 5.5     | 11.0   | 23.0   | 39.7   |
| 7102001606 | AF-16-6    | 16                        | 6.5     | 7.5     | 5.5     | 11.0   | 23.0   | 39.7   |
| 7102001608 | AF-16-8    |                           | 8.3     | 7.5     | 5.5     | 12.5   | 22.0   | 39.7   |
| 7102001610 | AF-16-10   |                           | 10.3    | 7.5     | 5.5     | 16.0   | 23.0   | 44.9   |
| 7102001612 | AF-16-12   |                           | 12.7    | 8.1     | 5.5     | 18.0   | 22.0   | 44.9   |

## Terminal de Cobre P/ Cabo Flexível



| CÓDIGO     | REFERÊNCIA | SECÇÃO<br>(mm <sup>2</sup> ) | ØE<br>(mm) | ØD<br>(mm) | Ød<br>(mm) | W<br>(mm) | B<br>(mm) | L<br>(mm) |
|------------|------------|------------------------------|------------|------------|------------|-----------|-----------|-----------|
| 7102002505 | AF-25-5    | 25                           | 5.3        | 9.1        | 6.7        | 13.0      | 28.0      | 47.2      |
| 7102002506 | AF-25-6    |                              | 6.5        | 9.1        | 6.7        | 13.0      | 28.0      | 47.2      |
| 7102002508 | AF-25-8    |                              | 8.3        | 9.1        | 6.7        | 13.0      | 28.0      | 47.2      |
| 7102002510 | AF-25-10   |                              | 10.3       | 9.1        | 6.7        | 16.0      | 29.0      | 51.9      |
| 7102002512 | AF-25-12   |                              | 12.7       | 9.1        | 6.7        | 18.0      | 28.0      | 51.9      |
| 7102002514 | AF-25-14   |                              | 14.8       | 9.1        | 6.7        | 20.0      | 28.0      | 53.9      |
| 7102003505 | AF-35-5    | 35                           | 5.3        | 11.0       | 8.6        | 16.0      | 31.0      | 52.6      |
| 7102003506 | AF-35-6    |                              | 6.5        | 11.0       | 8.6        | 16.0      | 31.0      | 52.6      |
| 7102003508 | AF-35-8    |                              | 8.3        | 11.0       | 8.6        | 16.0      | 31.0      | 52.6      |
| 7102003510 | AF-35-10   |                              | 10.3       | 11.0       | 8.6        | 17.0      | 31.0      | 56.5      |
| 7102003512 | AF-35-12   |                              | 12.7       | 11.0       | 8.6        | 18.0      | 31.0      | 56.5      |
| 7102003514 | AF-35-14   |                              | 14.8       | 11.0       | 8.6        | 20.0      | 31.0      | 58.5      |
| 7102003516 | AF-35-16   | 16.5                         | 11.0       | 8.6        | 23.0       | 31.0      | 60.5      |           |
| 7102005005 | AF-50-5    | 50                           | 5.3        | 12.4       | 9.5        | 18.0      | 32.0      | 56.0      |
| 7102005006 | AF-50-6    |                              | 6.5        | 12.4       | 9.5        | 18.0      | 32.0      | 56.0      |
| 7102005008 | AF-50-8    |                              | 8.3        | 12.4       | 9.5        | 18.0      | 32.0      | 56.0      |
| 7102005010 | AF-50-10   |                              | 10.3       | 12.4       | 9.5        | 18.0      | 32.0      | 59.0      |
| 7102005012 | AF-50-12   |                              | 12.7       | 12.4       | 9.5        | 19.0      | 32.0      | 59.0      |
| 7102005014 | AF-50-14   |                              | 14.8       | 12.4       | 9.5        | 21.0      | 34.0      | 67.8      |
| 7102005016 | AF-50-16   | 16.5                         | 12.4       | 9.5        | 23.0       | 34.0      | 67.8      |           |
| 7102007005 | AF-70-5    | 70                           | 5.3        | 15.0       | 12.0       | 22.0      | 36.5      | 67.4      |
| 7102007006 | AF-70-6    |                              | 6.3        | 15.0       | 12.0       | 22.0      | 36.5      | 67.4      |
| 7102007008 | AF-70-8    |                              | 8.3        | 15.0       | 12.0       | 22.0      | 36.5      | 67.4      |
| 7102007010 | AF-70-10   |                              | 10.3       | 15.0       | 12.0       | 22.0      | 36.5      | 67.4      |
| 7102007012 | AF-70-12   |                              | 12.7       | 15.0       | 12.0       | 22.0      | 36.5      | 67.4      |
| 7102007014 | AF-70-14   |                              | 14.8       | 15.0       | 12.0       | 22.0      | 36.5      | 70.0      |
| 7102007016 | AF-70-16   | 16.5                         | 15.0       | 12.0       | 24.0       | 35.0      | 70.0      |           |
| 7102009508 | AF-95-8    | 95                           | 8.3        | 17.0       | 13.4       | 25.0      | 37.5      | 69.7      |
| 7102009510 | AF-95-10   |                              | 10.3       | 17.0       | 13.4       | 25.0      | 37.5      | 69.7      |
| 7102009512 | AF-95-12   |                              | 12.7       | 17.0       | 13.4       | 25.0      | 37.5      | 69.7      |
| 7102009514 | AF-95-14   |                              | 14.8       | 17.0       | 13.4       | 25.0      | 37.5      | 73.3      |
| 7102009516 | AF-95-16   |                              | 16.8       | 17.0       | 13.4       | 25.0      | 37.5      | 73.3      |
| 7102009520 | AF-95-20   |                              | 20.9       | 17.0       | 13.4       | 28.0      | 34.5      | 73.3      |

## Terminal de Cobre P/ Cabo Flexível



| CÓDIGO     | REFERÊNCIA | SECÇÃO<br>(mm <sup>2</sup> ) | ØE<br>(mm) | ØD<br>(mm) | Ød<br>(mm) | W<br>(mm) | B<br>(mm) | L<br>(mm) |
|------------|------------|------------------------------|------------|------------|------------|-----------|-----------|-----------|
| 7102012008 | AF-120-8   | 120                          | 8.3        | 19.0       | 15.0       | 27.5      | 38.0      | 75.0      |
| 7102012010 | AF-120-10  |                              | 10.3       | 19.0       | 15.0       | 27.5      | 38.0      | 75.0      |
| 7102012012 | AF-120-12  |                              | 12.7       | 19.0       | 15.0       | 27.5      | 38.0      | 75.0      |
| 7102012014 | AF-120-14  |                              | 14.8       | 19.0       | 15.0       | 27.5      | 38.0      | 79.0      |
| 7102012016 | AF-120-16  |                              | 16.5       | 19.0       | 15.0       | 27.5      | 38.0      | 79.0      |
| 7102012020 | AF-120-20  |                              | 20.9       | 19.0       | 15.0       | 27.5      | 38.0      | 79.0      |
| 7102015010 | AF-150-10  | 150                          | 10.3       | 21.2       | 16.5       | 30.8      | 42.0      | 82.0      |
| 7102015012 | AF-150-12  |                              | 12.7       | 21.2       | 16.5       | 30.8      | 42.0      | 82.0      |
| 7102015014 | AF-150-14  |                              | 14.8       | 21.2       | 16.5       | 30.8      | 42.0      | 82.0      |
| 7102015016 | AF-150-16  |                              | 16.5       | 21.2       | 16.5       | 30.8      | 42.0      | 86.4      |
| 7102015020 | AF-150-20  |                              | 20.9       | 21.2       | 16.5       | 30.8      | 42.0      | 86.4      |
| 7102018510 | AF-185-10  |                              | 185        | 10.3       | 23.0       | 19.0      | 34.0      | 45.0      |
| 7102018512 | AF-185-12  | 12.7                         |            | 23.0       | 19.0       | 34.0      | 45.0      | 88.0      |
| 7102018514 | AF-185-14  | 14.8                         |            | 23.0       | 19.0       | 34.0      | 45.0      | 88.0      |
| 7102018516 | AF-185-16  | 16.5                         |            | 23.0       | 19.0       | 34.0      | 45.0      | 91.2      |
| 7102018520 | AF-185-20  | 20.9                         |            | 23.0       | 19.0       | 34.0      | 45.0      | 91.2      |
| 7102024010 | AF-240-10  | 240                          |            | 10.3       | 26.5       | 21.0      | 38.6      | 53.0      |
| 7102024012 | AF-240-12  |                              | 12.7       | 26.5       | 21.0       | 38.6      | 53.0      | 106.4     |
| 7102024014 | AF-240-14  |                              | 14.8       | 26.5       | 21.0       | 38.6      | 53.0      | 106.4     |
| 7102024016 | AF-240-16  |                              | 16.5       | 26.5       | 21.0       | 38.6      | 53.0      | 106.4     |
| 7102024020 | AF-240-20  |                              | 20.9       | 26.5       | 21.0       | 38.6      | 53.0      | 106.4     |
| 7102030012 | AF-300-12  |                              | 300        | 12.7       | 30.0       | 24.5      | 43.8      | 57.0      |
| 7102030014 | AF-300-14  | 14.8                         |            | 30.0       | 24.5       | 43.8      | 57.0      | 113.0     |
| 7102030016 | AF-300-16  | 16.5                         |            | 30.0       | 24.5       | 43.8      | 57.0      | 113.0     |
| 7102030020 | AF-300-20  | 20.9                         |            | 30.0       | 24.5       | 43.8      | 57.0      | 113.0     |
| 7102040012 | AF-400-12  | 400                          | 12.7       | 35.0       | 27.0       | 49.0      | 59.0      | 119.0     |
| 7102040014 | AF-400-14  |                              | 14.8       | 35.0       | 27.0       | 49.0      | 59.0      | 119.0     |
| 7102040016 | AF-400-16  |                              | 16.5       | 35.0       | 27.0       | 49.0      | 59.0      | 119.0     |
| 7102040020 | AF-400-20  |                              | 20.9       | 35.0       | 27.0       | 49.0      | 59.0      | 119.0     |